

Owners Manual And Assembly Instructions



Outlook

Wooden Playcenter

Model 1-OWC-05
(Revised for 2005)



Adventure Playsets

Amarillo Texas 79119

Table of Contents

Letter to Customer	1
Positioning Your Playcenter	2
Tools Required for Assembly	2
Helpful Installation Hints	2
Suggested Playground Surfacing	3
Operating Instructions	4
Maintenance Instructions	5
Disposal Instructions	6
CPSC Information Sheet	7
Assembly Instructions	8
Customer Notes	28
Limited Warranty	29
Warranty Claim Procedure	30
Customer Registration Card	31

**Your owner's manual should be read carefully before
starting assembly.**

Dear Customer:

Thank you for purchasing an Adventure Playsets Playcenter. We hope it will bring you and your children many years of safe and enjoyable backyard fun. Adventure Playsets equipment is recommended for use by **children 3 to 10 years of age**. Adventure Playsets structures are **not intended for public use**. **Adventure Playsets does not warranty any of its residential structures subjected to commercial use.**

Please follow all recommendations below. **Failure to do so may result in the warranty being void and/or safety violations that could result in serious injury.** The following information has been provided to help you in your installation, continued satisfaction, and safe operation of your Adventure Playsets purchase.

Always keep the safety of your children in mind as your play structure is being built and as your children play on the set. **Children must not use the Playcenter until completely assembled and properly installed and anchored to prevent serious injury.** Before your children play on the set please review the Operation Instructions with them to help ensure their safety.

PLEASE RETAIN THESE INSTRUCTIONS FOR FUTURE REFERENCE.
KEEP THEM IN A SAFE PLACE WHERE YOU CAN REFER TO THEM AS NEEDED.

General Information:

<u>Manufacturer</u>	Adventure Playsets 14201 Interstate 27 Amarillo, TX 79119 Ph. #: 1-800-856-4445 Fax: 806-622-1515 E-mail – <u>custservice@adventureplaysets.com</u>	<u>Dealer:</u> _____ _____ _____ _____
----------------------------	---	--

Unit Type:

Unit Names: Outlook
Unit Model Number: 1-OWC-05
Instruction Manual Information

Revision Date: 08/02/04

Maximum Fall Height: 7'-6"

The instructions and owner's manual for your new Playcenter should be read in its entirety before assembly, to minimize problems and safety issues. We recommend reading the owner's manual thoroughly after you have identified all of the parts for your Playcenter as discussed in the Helpful Installations Hints section below.

Positioning Your Play center

1. The Playcenter is designed to be installed on a level surface. Try to place in a flat area of your yard to minimize ground preparation.
2. Place the equipment not less than 6 ft from any structure or obstruction such as a fence, garage, house, overhanging branches, laundry lines, or electrical wires.
3. It is a good idea to place your Playcenter in an area that is convenient for adults to watch children at play.
4. The area that you choose should be policed for glass, rocks or anything jagged or sharp that could endanger your children's safety. The surface underneath your play system can cause or prevent injuries. We have additional suggestions in the Suggested Playground Surfacing Section.
5. Do not build your playset on top of surfacing material.

Anchoring Instructions

Anchoring instructions are included in the installation instructions along with 6 wooden anchoring stakes for normal installations. Adventure Playsets has for sale an optional accessory, Anchor It kit, which should be used if the Playcenter is to be used in sandy soil. The kit includes 4 powder coated anchors, fully illustrated plans, and all the hardware required for installation. For information on how to purchase this kit call 1-800-856-4445.

Tools Required for Installation:

1. 3/8" Drill
2. 5/16" and 3/8" Drill bits
3. 7/16" Box Wrench or 3/8"-drive socket
4. Two 1/2" Box Wrenches or 3/8"-drive sockets
5. 3/8"-drive ratchet or 3/8"-drive socket adapter for drill if sockets are used
6. #2 and #3 Phillips bit for drill (preferred) or #2 and #3 Phillips screwdriver
7. Flat screwdriver
8. Tape measure
9. Level
10. Hammer
11. Allen Wrench (included with hardware)
12. An Adult w/ an Adult Helper

Helpful Installation Hints

1. Identify all of the parts for your Playcenter. Empty each box and lay out boards so you can see each part. Your instruction book will have detailed drawings that will make it easy for you to recognize individual parts. Keep all hardware and metal parts separate from wooden pieces.
2. After everything is laid out, check carefully to ensure all parts are present. Make sure there are no broken boards.

3. Find an area to sort your hardware. It is best to open the hardware on a solid surface so that you do not lose any pieces in the grass. This will save time and familiarize you with all the different pieces in the hardware bag.
4. Important note: Wood has some natural defects such as knots, surface cracks, etc... We reject parts that are structurally defective. We use a high quality lumber in our structures; however, you should inspect each part for splinters or rough spots and sand them smooth to prevent injury.
5. After steps 1 thru 4 have been completed, read all the way through the instructions completely. Reading instructions after you have studied the parts will help you understand more clearly the installation process, and help to eliminate unnecessary mistakes.
6. Pay close attention to the diameter and length of each bolt and screw. There will be different sizes in the same bag, so they must be sorted correctly.
7. Swing hangers should be buried past the threads, so that the loop is against the swing beam. Adventure Playsets is not responsible for incorrect installations of swing hangers. Failure to properly install swing hangers may cause severe injury.
8. Never tighten hardware completely at first. It helps to have some adjustment for bolt alignment while you are attaching parts together. After everything is square, tighten each joint.
9. After the main unit is assembled it is critical that the floor is level and square. If the main frame is not level, the walls and floor will be out of square.
10. After you complete installation, make sure every bolt, screw, and nut is tight, and every board is secure. Wood will expand and contract with the seasons. Check all bolt connections and swing hangers every two weeks.

READ! VERY IMPORTANT!

If you are missing parts or have questions regarding the installation of our quality product PLEASE call us directly at the factory (**1-800-856-4445**). Our trained staff will be happy to assist you.

Customer service hours:
Monday thru Friday 9am to 5pm
Saturday 9am to 2pm
Central Standard Time.

E-mail: custservice@adventureplaysets.com

Suggested Playground Surfacing

- ❑ Playground equipment should never be placed on hard surfaces such as concrete or asphalt.
- ❑ Shredded bark mulch, wood chips, fine sand and fine gravel, are added as shock absorbing materials after assembly. If used properly these materials can absorb some of the impact of a child's fall.
- ❑ All surface material should extend a minimum of 6 feet in all directions around the play area.

The following chart explains the fall height in feet from which a life threatening head injury would not be expected

Critical Heights (in feet) of Tested Materials

<u>Material</u>	<u>Uncompressed depth</u>			<u>Compressed depth</u>
	<u>6 in.</u>	<u>9 in.</u>	<u>12 in.</u>	<u>to 9 in.</u>
Wood Chips	7	10	11	10
Double-shredded bark mulch	6	10	11	7
Engineered Wood Fibers	6	7	>12	6
Fine Sand	5	5	9	5
Coarse Sand	5	5	6	4
Fine Gravel	6	7	10	6
Medium Gravel	5	5	6	5
Shredded Tires*	10-12	N/A	N/A	N/A

*This data is from tests conducted by independent testing laboratories on a 6-inch depth of uncompressed shredded tire samples produced by four manufacturers. The tests reported critical heights, which varied from 10 feet to greater than 12 feet. It is recommended that persons seeking to install shredded tires as a protective surface request test data from the supplier showing the critical height of the material when it was tested in accordance with ASTM F1292.

This information is intended to assist you in comparing the relative shock absorbing properties of various materials. Each material is only effective when it is properly maintained at the proper depths determined necessary for your equipment.

Operating Instructions:

NOTE: Your children’s safety is our #1 concern. Observing the following statements and warnings reduces the likelihood of serious or fatal injury. Please review these safety rules regularly with your children.

1. This Playcenter is designed for the use of 3 occupants who have a combined weight not exceeding 280 pounds.
2. On-site adult supervision is **required**.
3. Instruct children **not** to walk close to, in front of, behind, or between moving swings or other moving playground equipment.
4. Instruct children to sit in and **never** stand on swings
5. Instruct children **not** to twist the chains and ropes and not to loop them over the top support bar, since this may reduce the strength of the chain or rope.
6. Instruct children **not** to jump from swings or other playground equipment in motion.
7. Instruct children to **not push** empty seats. The seat may hit them and cause serious injury.
8. Instruct and teach children to sit in the center of the swings with their full weight on the seats.
9. Instruct children **not** to use the equipment in a manner other than intended.
10. Instruct children to **always** go down slides feet first. Never slide headfirst.

11. Instruct children to **look** before they slide to make sure no one is at the bottom.
12. Instruct children to **never** run up a slide, as this increases their chances of falling.
13. The parents should have the children **dress appropriately** with well-fitting shoes. Loose clothing such as scarves and ponchos should not be worn. Always take off, tie up or tuck in cords and drawstrings on children's clothing. These things can get caught on playground equipment and strangle a child.
14. Instruct children **not** to climb when the equipment is wet.
15. Instruct children to **never** jump from a fort deck. They should always use the ladder, ramp or slide.
16. Instruct children to **never** crawl or walk across the top of monkey bars.
17. Instruct children to **never** crawl on top of a fort roof.
18. Verify that any suspended climbing ropes, chain, or cable are secured at both ends and that they cannot be looped back on it.
19. Instruct children **not** to attach items to the playground equipment that are not specifically designed for use with the equipment, such as, but not limited to, jump ropes, clothesline, pet leashes, cables and chain as they may cause a strangulation hazard.

Maintenance Instructions:

1. Check all nuts and bolts twice monthly during the usage season and tighten as required. (But not so tight that you crack the wood) We recommend you check the swing beam and hardware every two weeks due to wood expansion and contraction. It is particularly important that this procedure be followed at the beginning of each season.
2. Remove plastic swing seats and take indoors or do not use when the temperature drops below 32 °F.
3. Oil all metallic moving parts monthly during the usage period.
4. Check all coverings for bolts and sharp edges twice monthly during usage season to be certain they are in place. Replace when necessary. It is especially important to do this at the beginning of each new season.
5. Check swing seats, ropes, cables and chains monthly during usage season for evidence of deterioration. Replacement should be made of any swing seat that has developed cracks in the plastic seats or has exposed metal in the edges of the swing seat. If there are already exposed metal inserts on the edge of the seat, immediately remove the seats and chains to prevent serious injury. Ropes, cables and chains should be removed and replaced if excessive wear is found. Contact Adventure Playsets for replacement parts.
6. For rusted areas on metallic members such as monkey bars, hand supports, brackets, etc., sand and repaint, using a non lead-based paint meeting the requirements of Title 16 CRF Part 1303.
7. Inspect wood parts monthly. The grain of the wood sometimes will lift in the dry season causing splinters to appear. Light sanding may be necessary to maintain a safe playing environment. If you are treating your Playcenter with stain regularly, it will help prevent severe checking/splitting and other weather damage.

8. We recommend treating the wood components once or twice a year depending on the type of weather you have and when sanding has been required to maintain a good surface. We treat our wood with a waterborne transparent stain.
9. Creating and maintaining the Playcenter on a level location is very important. As your children play, your Playcenter will slowly dig its way into the soil, and it is very important that it settles evenly. Make sure the play set is level and true once each year or at the beginning of each play season.

Disposal Instructions:

When the Playcenter use is no longer desired, it should be disassembled and disposed of in such a way that no unreasonable hazards will exist at the time the unit is discarded.

APPENDIX A

Information on Playground Surfacing Materials:

The following information is from the *United States Consumer Product Safety Commission's Information Sheet for playground surfacing material*. Also see the following website for additional information: www.cpsc.gov/cpscpub/pubs/323.html.

X3. CONSUMER INFORMATION SHEET FOR PLAYGROUND SURFACING MATERIALS¹¹

X3.1 The U.S. Consumer Product Safety Commission (CPSC) estimates that about 100,000 playground equipment-related injuries resulting from falls to the ground surface are treated annually in U.S. hospital emergency rooms. Injuries involving this hazard pattern tend to be among the most serious of all playground injuries, and have the potential to be fatal, particularly when the injury is to the head. The surface under and around playground equipment can be a major factor in determining the injury-causing potential of a fall. It is self evident that a fall onto a shock-absorbing surface is less likely to cause a serious injury than a fall onto a hard surface. Playground equipment should never be placed on hard surfaces such as concrete or asphalt and while grass may appear to be acceptable it may quickly turn to hard packed earth in areas of high traffic. Shredded bark mulch, wood chips, fine sand or fine gravel are considered to be acceptable shock absorbing surfaces when installed and maintained at a sufficient depth under and around playground equipment.

X3.2 Table X3.1 lists the maximum height from which a child would not be expected to sustain a life-threatening head injury in a fall onto four different loose-fill surfacing materials if they are installed and maintained at depths of 6, 9, and 12 in. However, it should be recognized that all injuries due to falls cannot be prevented no matter what surfacing material is used.

X3.3 It is recommended that a shock absorbing material should extend a minimum of 6 ft in all directions from the perimeter of stationary equipment such as climbers and slides. However, because children may deliberately jump from a moving swing, the shock absorbing material should extend in the front and rear of a swing a minimum distance of 2 times the height of the pivot point measured from a point directly beneath the pivot on the supporting structure.

X3.4 This information is intended to assist in comparing the relative shock-absorbing properties of various materials. No particular material is recommended over another. However, each material is only effective when properly maintained. Materials should be checked periodically and replenished to maintain correct depth as determined necessary for your equipment. The choice of a material depends on the type and height of the playground equipment, the availability of the material in your area, and its cost.

¹¹This information has been extracted from the CPSC publications "Playground Surfacing — Technical Information Guide" and "Handbook for Public Playground Safety." Copies of these reports can be obtained by sending a postcard to: Office of Public Affairs, U.S. Consumer Product Safety Commission, Washington, D.C., 20207 or call the toll-free hotline: 1-800-638-2772.

The American Society for Testing and Materials takes no position respecting the validity of any parent right asserted in connection with any item mentioned in this standard. Users of this standard are expressly advised that determination of the validity of any such parent rights, and the risk of infringement of such rights, are entirely their own responsibility.

The standard is subject to revision at any time by the responsible technical committee and must be reviewed every five years and if not revised, either approved or withdrawn. Your comments are invited either for revision of this standard or for additional standards and should be addressed to ASTM Headquarters. Your comments will receive careful consideration at a meeting of the responsible technical committee, which you may attend. If you feel that your comments have not received a fair hearing you should make your views known to the ASTM Committee on Standards, 100 Barr Harbor Drive, West Conshohocken, PA 19428.

Outlook Wooden Playcenter™

Made in USA

Large 4'x8' Play Deck with Sundeck

ALL NATURAL CEDAR with Woodguard



Recessed Drilled Holes - No Protruding Hardware on Either Side of Bolt

Polyethylene coated Woodguard on ALL 4"x4" Lumber - NO Checking



Safety Handles



Commando Rope Ladder

Flat Steps on Access Ladder as Opposed to Rungs



Two Person Glider Swing



2 Quality Belt Swings

Rock Climbing Wall

Picnic Table

Sandbox

Dimensions: L 16' 8" x W 14' 10" x H 10' 10"


10' Wave Slide

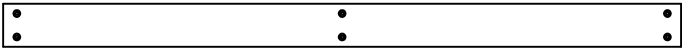


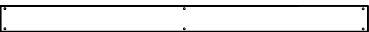
Instructions For the Outlook Wooden Playcenter Model 1-OWC-o5

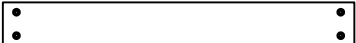
PARTS IDENTIFICATION

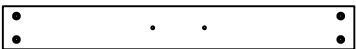
A 4- 4x4x92" FORT UPRIGHTS (4LP1004)

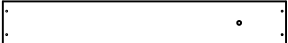

B 2- 4x4x89 1/2" END FORT UPRIGHTS (4LP1005)


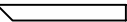
C 4- 5/4x6x85 3/4" FORT RAILS (4L1285)



D 2- 1x4x47 1/4" FLOOR BOARDS (4L1053)


E 3- 5/4x6x44" FORT RAILS (4L1281)



F 1- 5/4x6x44" SINGLE BEAM CROSS BRACE (4L1396-04)


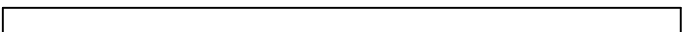
G 8- 5/4x6x36 1/4" ROCKWALL BOARDS (4L1060)


H 6- 2x2x15 3/4" WOODEN STAKES (4L300)


I 1- 5/4x6x93" SINGLE BEAM GROUND BEAM (4L497)


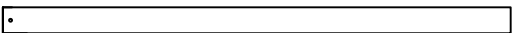
J 2- 5/4x4x90" CROSS BRACE (4L1063)


K 1- 5/4x4x86 3/4" FLOOR JOIST (4L445)


L 1- 5/4x4x86 3/4" FLOOR JOIST (NO HOLES)- (4L443)


M 2- 5/4x4x71" END BEAM BRACES (4L435)


N 2- 5/4x4x72" TARP UPRIGHTS (4L1397-04)


O 4- 5/4x4x65" ROCK WALL/CARGO NET BRACE (4L1065)


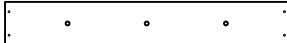
P 1- 5/4x4x62" RIGHT LADDER RAIL (4L1066)

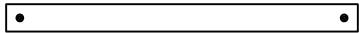

Q 1- 5/4x4x62" LEFT LADDER RAIL (4L1067)


R 1- 5/4x4x86 3/4" FLOOR JOIST/CARGO NET RAIL (4L444)

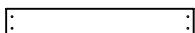

S 2- 5/4x4x47" TARP END CAPS (4L424)

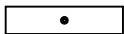

T 1- 5/4x4x45" TARP SUPPORT (4L421)

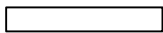

U 1- 5/4x6x36 1/4" CARGO NET BOARD (4L465)


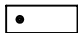
V 7- 5/4x4x44" FORT RAIL (4L1283)


W 2- 5/4x4x38 5/8" FLOOR END CAPS (4L1280)

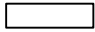

X 20- 5/4x4x24" WALL SLATS (4L1052)


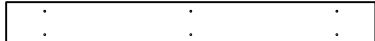
Y 2- 5/4x4x15" WALL RAILS (4L1055)


Z 1- 5/4x4x21" TABLE TOP BRACE (4L1069)


AA 4- 5/4x4x8 5/8" WALL RAILS (4L1284)


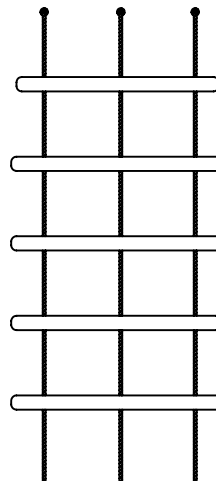
AB 5- 5/4x4x16" LADDER RUNGS (4L1072)


AC 1- 5/4x4x10" PICNIC BENCH BRACE (4L1070)


AD 18- 1x6x47 1/4" FLOOR BOARDS (4L1073)


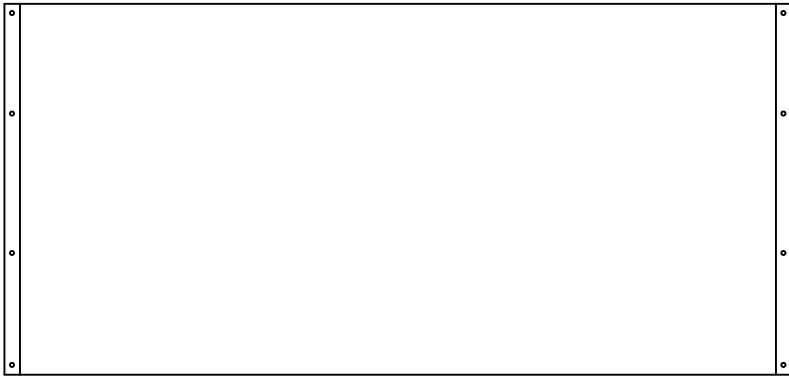
AG 3- 1x6x38 1/2" CENTER/END FLOOR BOARDS (4L1074)


5 RUNG
CARGO NET (6HCN001)

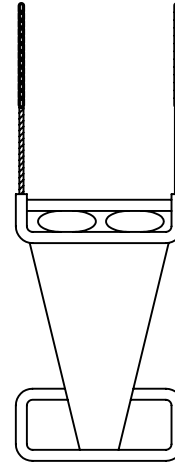


PARTS IDENTIFICATION

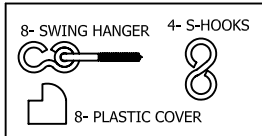
TARP - 6F001



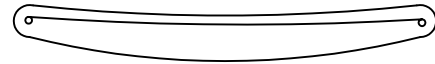
2-GLIDER ARMS W/
30 LINK CHAIN &
ROPE 3/8 x 57" - 2A1031



1- SWING HANGER HARDWARE BAG - 6HB007



1-GLIDER SEAT - 6P023



4- SNAP LINK SMALL - 6H059



4- 57" GREEN CHAIN - 4M1012



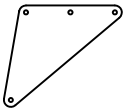
9- L-BRACKETS - 4M032



2-SWING SEATS - 6P001



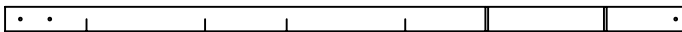
2-TRIANGLE END
LADDER BRACES - 4M089



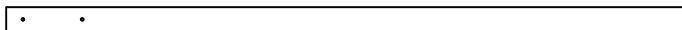
3- HAND GRIPS - 6P002



1- 4x4x92" SINGLE BEAM TOP BEAM - 4LP016-04



1- 4x4x92" SINGLE BEAM END BEAM - 4LP015



2- 4x4x29 1/2" GLIDER SUPPORTS - 4L806



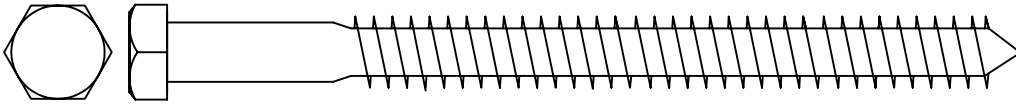
OTHER ACCESSORIES:

INSTRUCTIONS

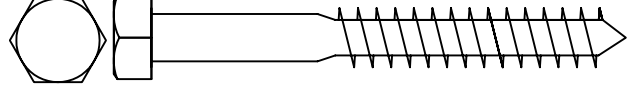
HARDWARE BAG - 3H1057-05 AND 6HB011
8 CLIMBING ROCKS W/HARDWARE - 6P003
10' WAVE SLIDE - 1W10Y
ADVENTURE PLAYSETS STICKER
GLIDER HARDWARE BAG - 6HB003

HARDWARE IDENTIFICATION

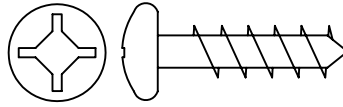
2- 5/16" x 4 1/2" LAG SCREWS



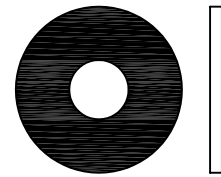
60- 1/4" x 2 1/2" LAG SCREWS
(head size may vary)



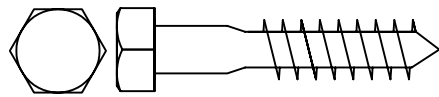
16- 1" TAPPING SCREWS



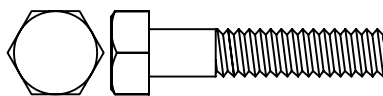
16- 5/16" FLAT WASHERS



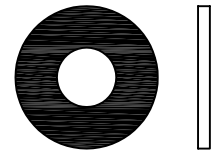
12- 1/4" x 1 1/4" LAG SCREWS



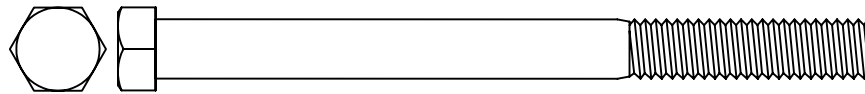
9- 1/4" x 1 1/4" HEX BOLTS



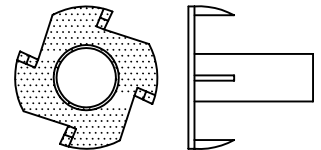
116- 1/4" FLAT WASHERS



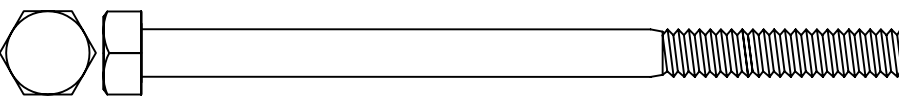
5- 5/16" x 3 3/4" HEX BOLTS



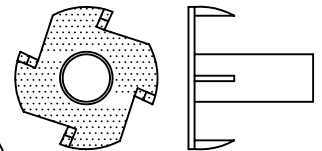
4- 5/16" T-NUTS



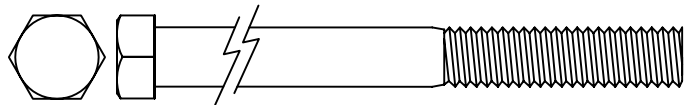
12- 1/4" x 4" HEX BOLTS



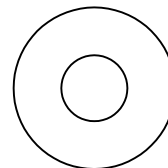
25- 1/4" T-NUTS



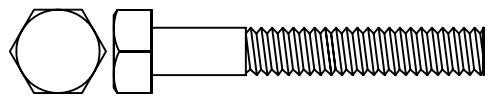
2- 5/16" x 6" HEX BOLTS



2- 5/16" FENDER WASHER



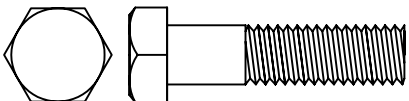
2- 5/16" x 1 3/4" HEX BOLTS
3- 1/4" x 1 3/4" HEX BOLTS



2- 5/16" SPLIT WASHERS



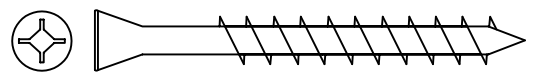
2- 5/16" x 1 1/4" HEX BOLTS



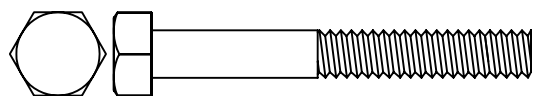
25- 1/4" SPLIT WASHERS



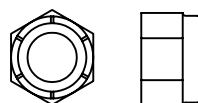
94- 2 1/4" DECK SCREWS



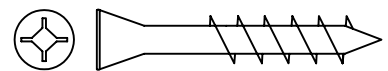
2- 1/4" x 2" HEX BOLTS



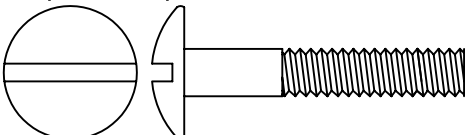
7- 5/16" LOCK NUTS



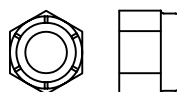
234- 1 1/2" DECK SCREWS



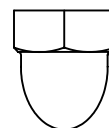
2- 1/4" x 1 1/2" MACHINE TRUSS SCREWS



3- 1/4" LOCK NUTS



2- 1/4" ACORN NUT



PHASE 1

!!NOTE: DO NOT OVER-TIGHTEN HEX BOLTS!!

BOLT SHOULD NOT PROTRUDE MORE THAN 2 THREADS
PAST T-NUT FACE

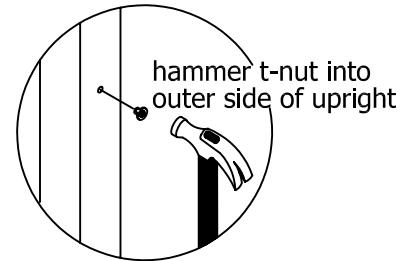
STEP 1: GATHER ITEMS A(4), B(2), C(2), K(1), R(1), E(2) W(2) & HARDWARE BAG.

NOTE: OPEN HARDWARE BAG ON A FLAT SURFACE OR IN A BOX TO AVOID MISPLACEMENT.

STEP 2: ATTACH FLOOR JOISTS 'K' AND 'R' TO UPRIGHTS 'A' & 'B' W/ 4" HEX BOLTS AND T-NUTS AS SHOWN. HAMMER T-NUTS INTO THE OUTER SIDE OF UPRIGHTS.

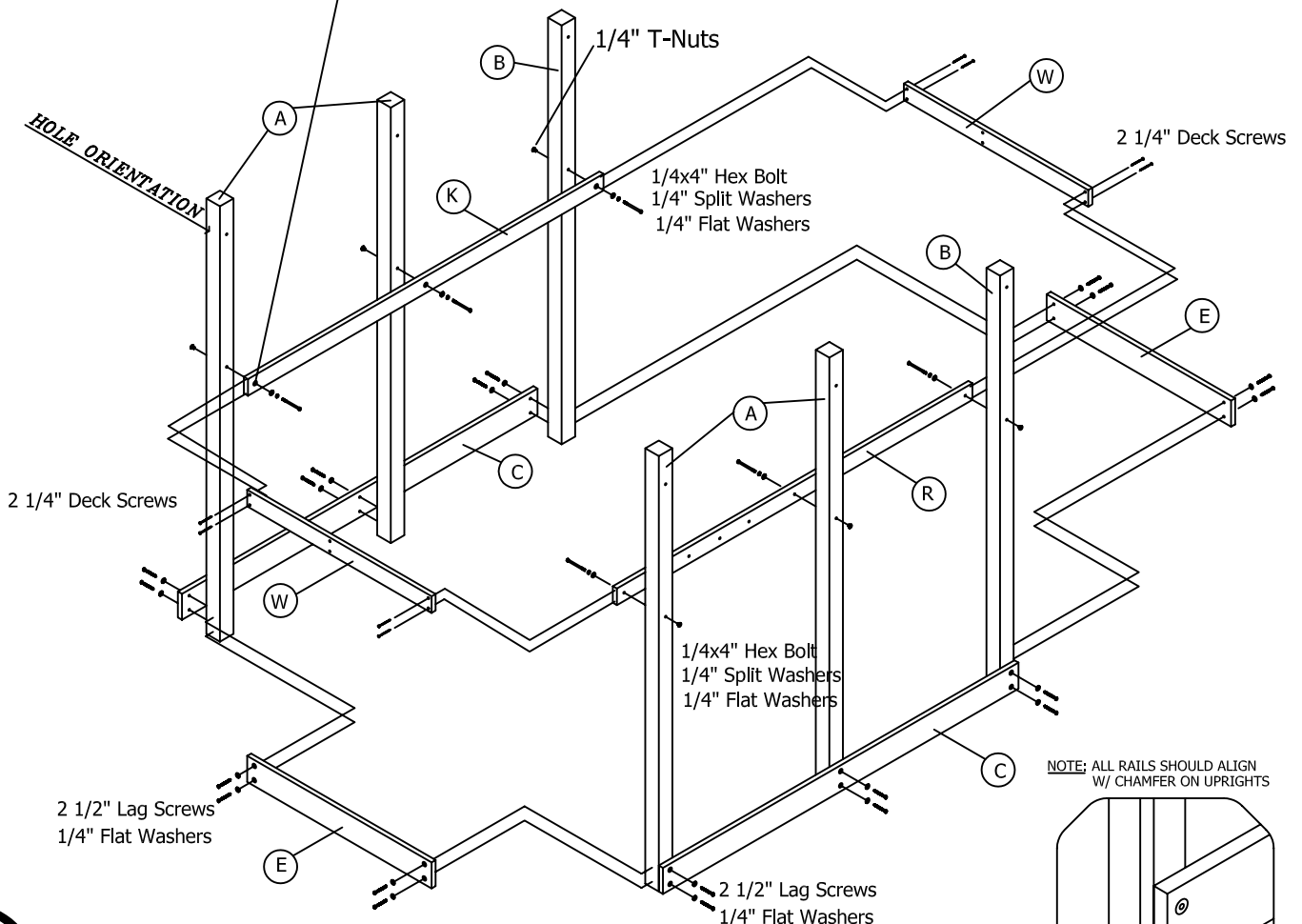
STEP 3: ATTACH FORT RAILS 'C' & 'E' W/ 2 1/2" LAG SCREWS & FLAT WASHERS AS SHOWN. KEEP FORT RAILS EVEN W/ OUTSIDE CHAMFER OF UPRIGHTS.

STEP 4: ATTACH FLOOR END CAPS 'W' TO ENDS OF FLOOR JOISTS 'K' AND 'R' W/ 2 1/4" DECK SCREWS AS SHOWN.



T-NUT DETAIL

NOTE: COUNTERSUNK HOLES MUST BE TO INSIDE OF FORT.



PHASE 2

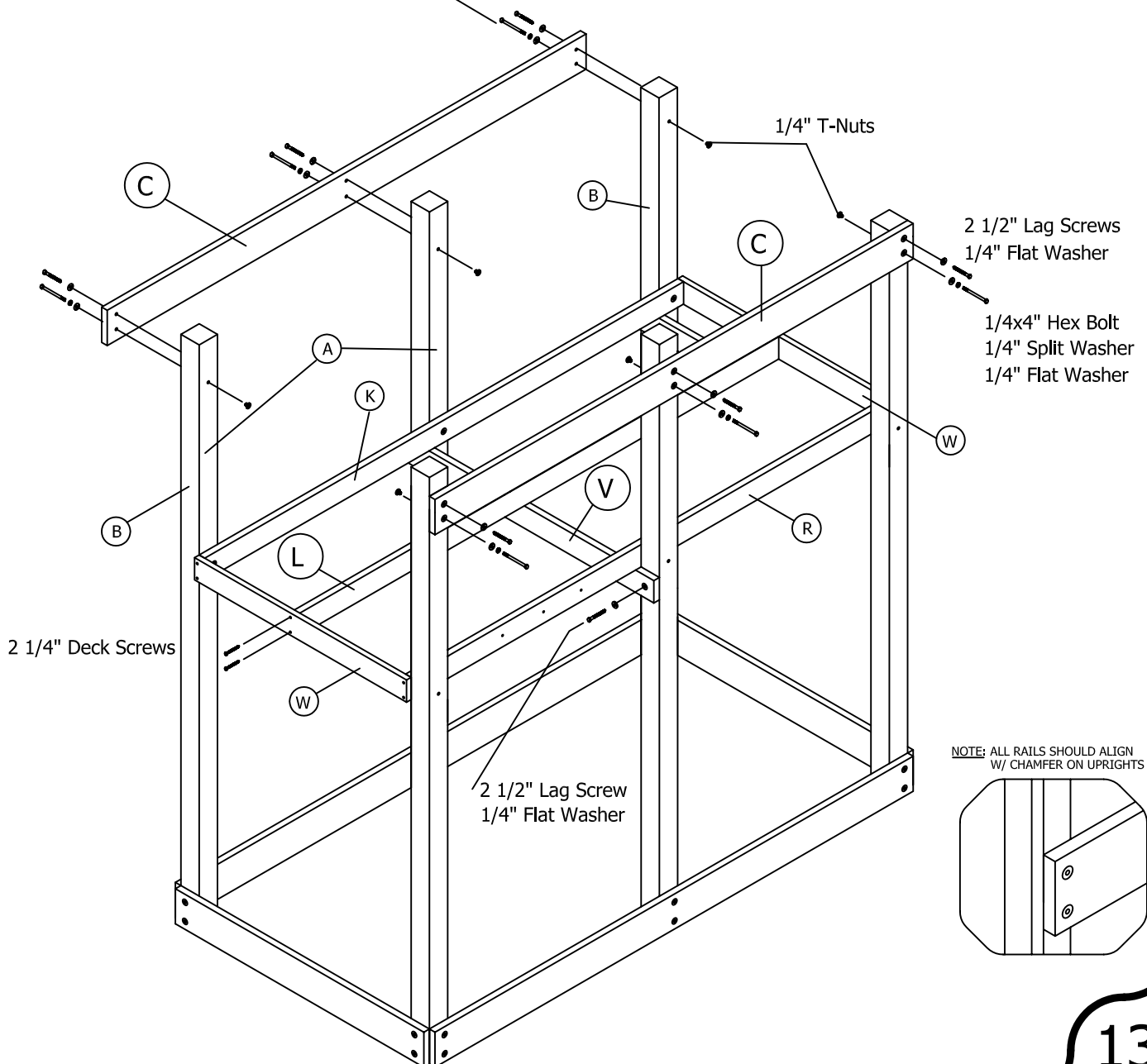
STEP 1: GATHER ITEMS C(2), V(1), L(1) & HARDWARE BAG.

STEP 2: ATTACH FORT RAIL 'V' TO INSIDE OF UPRIGHTS 'A' & 'B' W/ 2 1/2" LAG SCREWS AS SHOWN.

STEP 3: ATTACH FORT RAILS 'C' TO UPRIGHTS W/ 4" HEX BOLTS, T-NUTS THROUGH BOTTOM HOLES & 2 1/2" LAG SCREWS THROUGH TOP HOLES AS SHOWN.

STEP 4: ALIGN CENTER FLOOR JOIST 'L' W/ PRE DRILLED HOLES ON END CAPS 'W' AND ATTACH WITH 2 1/4" DECK SCREWS.

NOTE: HEX BOLT MUST BE USED IN BOTTOM HOLE OF FORT RAIL.



PHASE 3

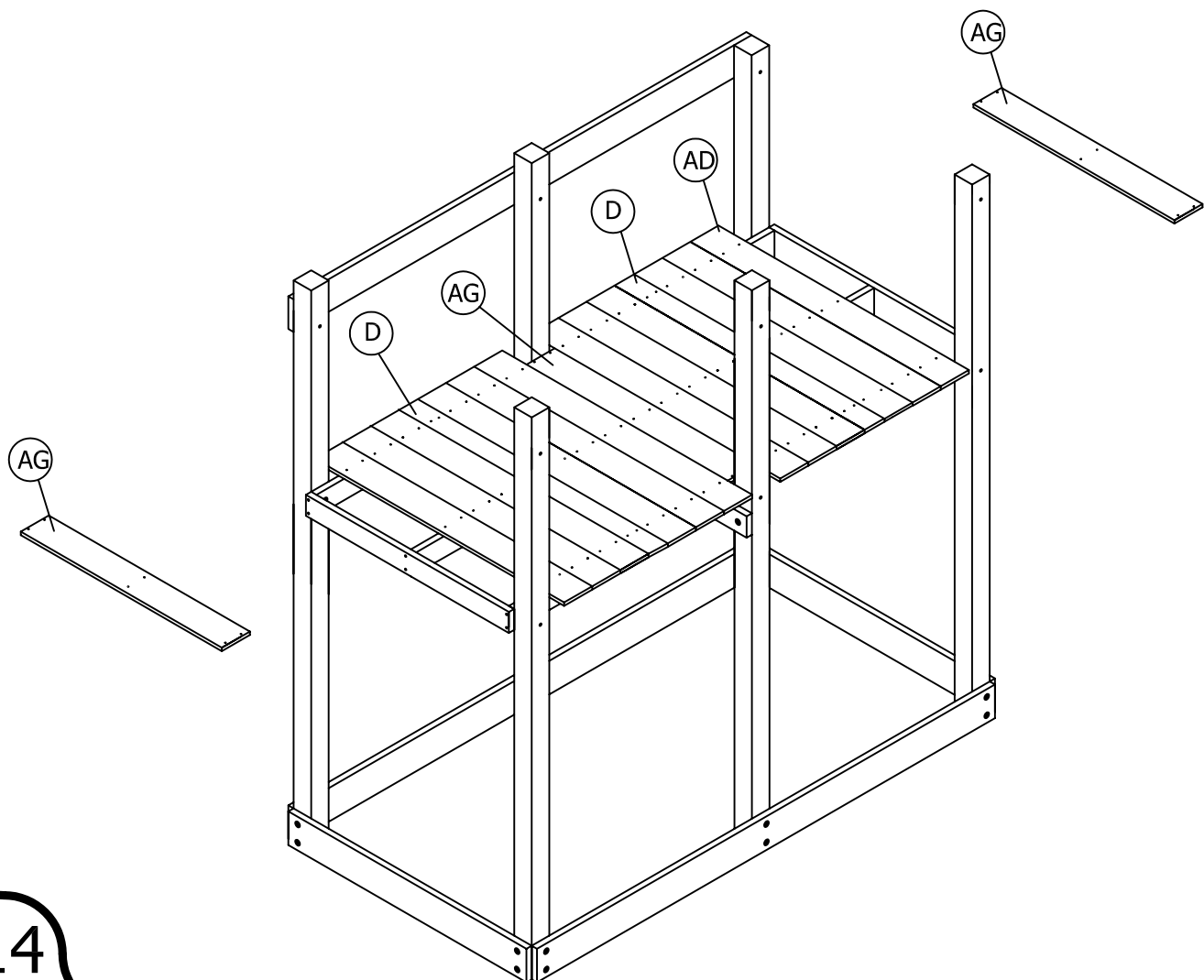
STEP 1: GATHER ITEMS AD(12), AG(3), D(2) & HARDWARE BAG.

STEP 2: CENTER (1) FLOOR BOARD 'AG' BETWEEN MIDDLE UPRIGHTS & ATTACH W/ (6) 1 1/2" DECK SCREWS.

STEP 3: PLACE FLOOR BOARDS 'AD' & 'D' W/ PRE-DRILLED HOLES OVER THE CENTER OF THE FLOOR JOIST. YOU SHOULD HAVE APPROX. A 4 1/2" OVERHANG ON EACH SIDE. ATTACH FLOOR BOARDS W/ 1 1/2" DECK SCREWS AS SHOWN.

STEP 4: ATTACH (2) FLOOR BOARDS 'AG' TO END OF FLOOR JOISTS W/ 1 1/2" DECK SCREWS AS SHOWN. (NOTE: SECOND HOLE ON END FLOOR BOARD MAY MISS FLOOR JOIST)

Note: Top front rail is not shown, for better view of floor.



PHASE 4

STEP 1: GATHER ITEMS AA(4), Y(2), V(2), E(1), F(1) & HARDWARE BAG.

STEP 2: ATTACH WALL RAILS 'AA' TO UPRIGHTS W/ 2 1/2" LAG SCREWS AS SHOWN.

STEP 3: CENTER WALL RAIL 'Y' OVER CENTER UPRIGHT & ATTACH W/ 2 1/2" LAG SCREW AS SHOWN.

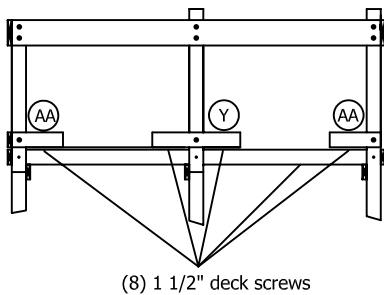
STEP 4: ATTACH WALL RAILS 'V' TO UPRIGHTS.

REST WALL RAILS ON FLOOR BOARDS & KEEP ENDS EVEN W/ INSIDE CHAMFER ON UPRIGHTS & ATTACH W/ 2 1/2" LAG SCREWS.

STEP 5: ATTACH FORT RAILS 'E' & 'F' TO UPRIGHTS EVEN WITH BOTTOM EDGE OF FORT RAILS 'C'. ATTACH W/ 2 1/2" LAG SCREWS.

STEP 6: ANCHOR WALL RAILS 'AA' & 'Y' TO FLOOR W/ 1 1/2" DECK SCREWS. ATTACH FROM UNDER THE FLOOR BOARDS INTO THE CENTER OF THE WALL RAILS. (SEE DETAIL 1)

DETAIL 1

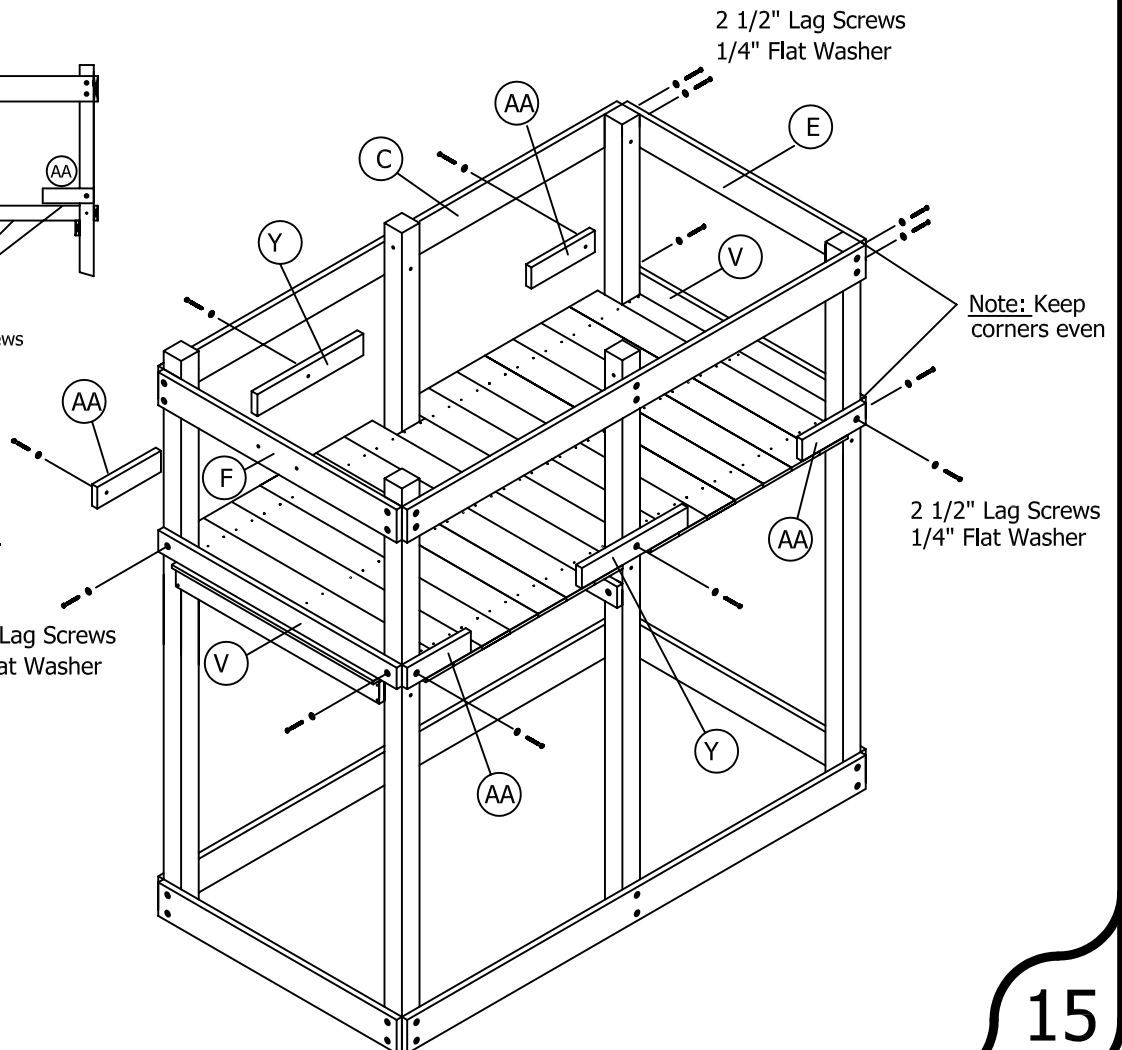
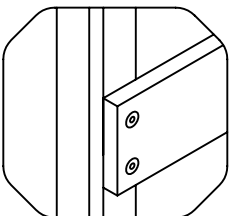


(8) 1 1/2" deck screws

NOTE: THIS WILL BE THE END THE MONKEY BAR WILL ATTACH TO.

2 1/2" Lag Screws
1/4" Flat Washer

NOTE: ALL RAILS SHOULD ALIGN W/ CHAMFER ON UPRIGHTS



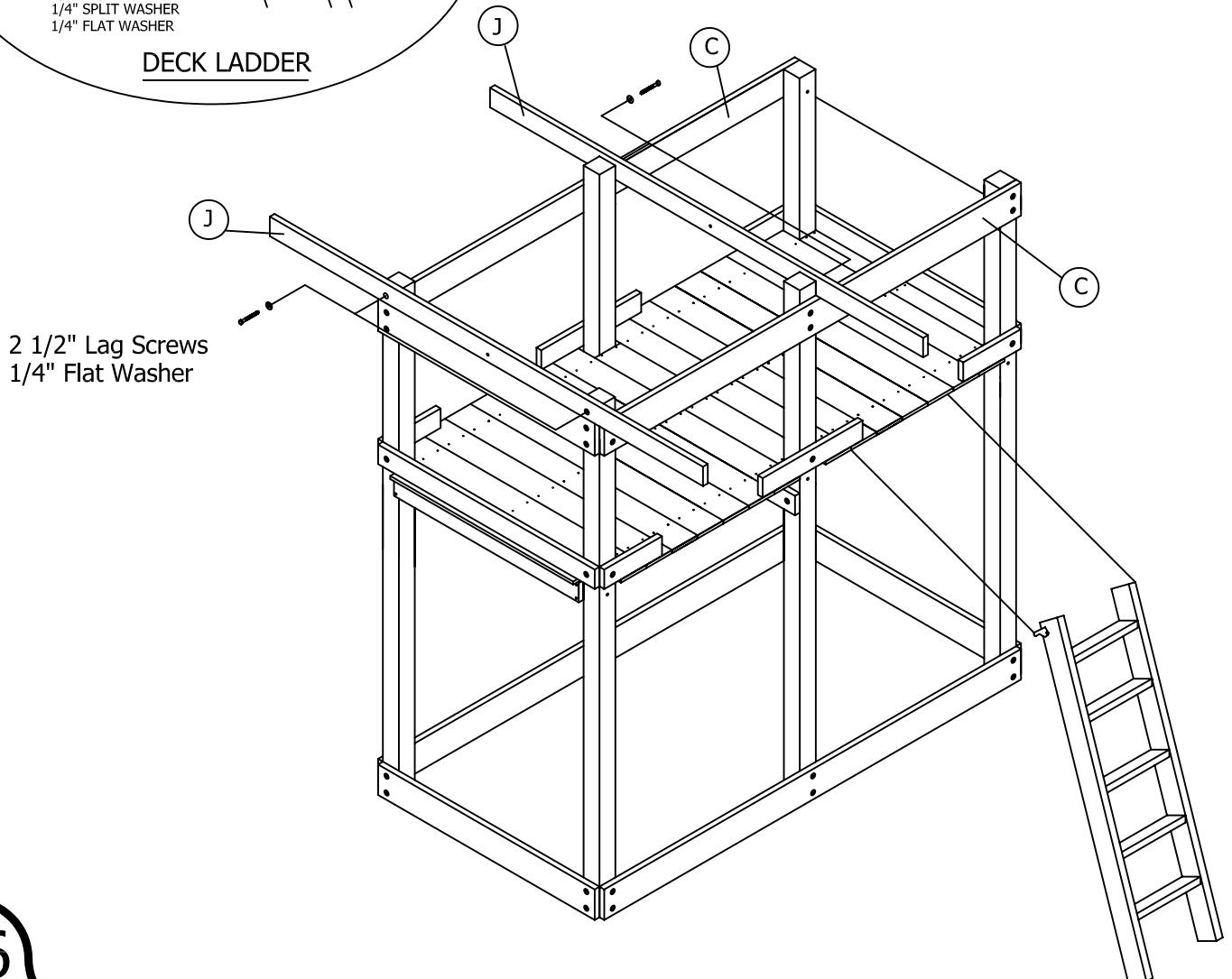
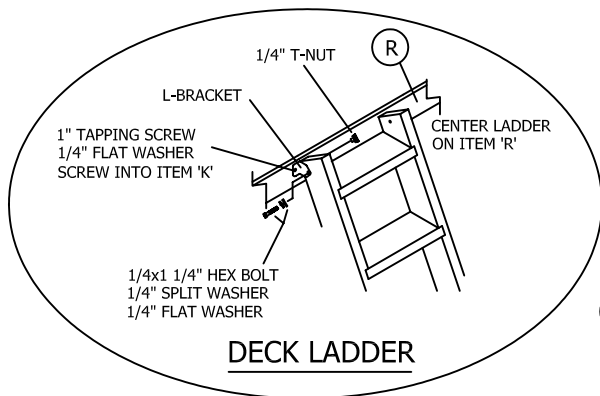
PHASE 5

STEP 1: GATHER ITEMS J(2) & HARDWARE BAG.

STEP 2: ASSEMBLE LADDER AS SHOWN ON "DECK LADDER ASSEMBLY" IN BACK OF BOOK.
ATTACH LADDER TO ITEM 'R' WHERE SHOWN ON FORT. SEE DETAIL.

NOTE: THIS WILL HELP YOU GET INTO FORT FOR THE FOLLOWING STEPS.

STEP 3: CROSS BRACES 'J' MUST BE ATTACHED WHERE SHOWN W/ 2 1/2" LAG SCREWS
KEEP COUNTERSUNK HOLES TO OUTSIDE OF FORT.



PHASE 6

STEP 1: GATHER ITEMS S(2), T(1), N(2), & HARDWARE BAG.

STEP 2: ATTACH ITEM 'T' TO ITEMS 'N' AS FOLLOWS:

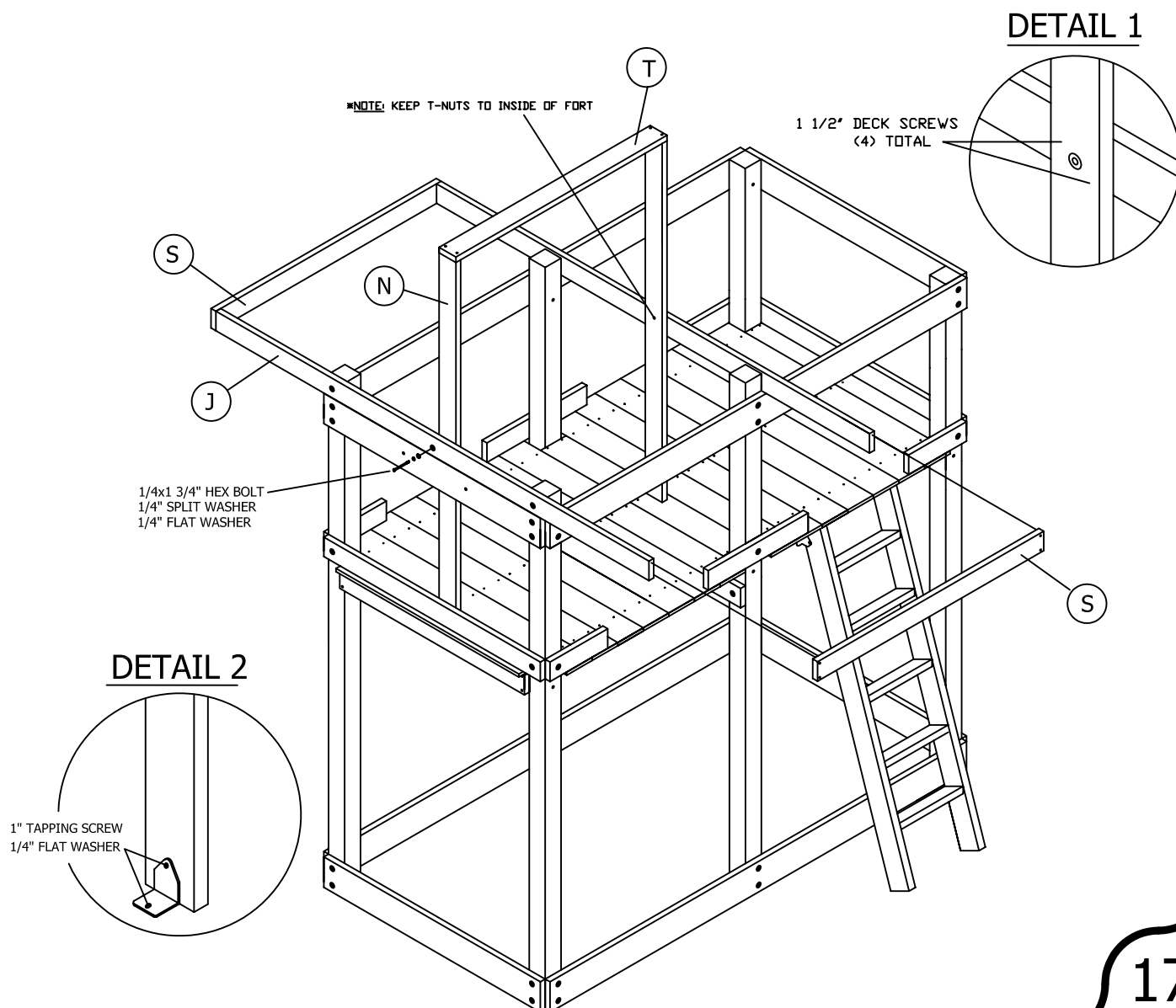
PLACE TARP SUPPORT 'T' ACROSS THE TOP OF ITEMS 'N'. KEEP ENDS FLUSH & ATTACH W/ 2 1/4" DECK SCREWS USING PRE-DRILLED HOLES LOCATED ON ITEM 'T'.

STEP 3: ATTACH ASSEMBLY TO CROSS BRACES 'J' W/ 1 3/4" HEX BOLTS, FLAT & SPLIT WASHERS AND T-NUTS*. USE 1 1/2" DECK SCREWS TO SECURE (DETAIL 1).

STEP 4: ATTACH TARP END CAPS 'S' TO ENDS OF CROSS BRACES 'J' W/ 2 1/4" DECK SCREWS. USE PRE-DRILLED HOLES LOCATED ON ENDS OF ITEMS 'S'.

STEP 5: ANCHOR TARP SUPPORT 'N' (IN CENTER OF FORT) TO FORT FLOOR W/ L-BRACKET AND 1" TAPPING SCREW. SEE 'DETAIL 2'.

STEP 6: ATTACH TARP TO FORT AS SHOWN ON "TARP DETAIL" IN BACK OF BOOK.



PHASE 7

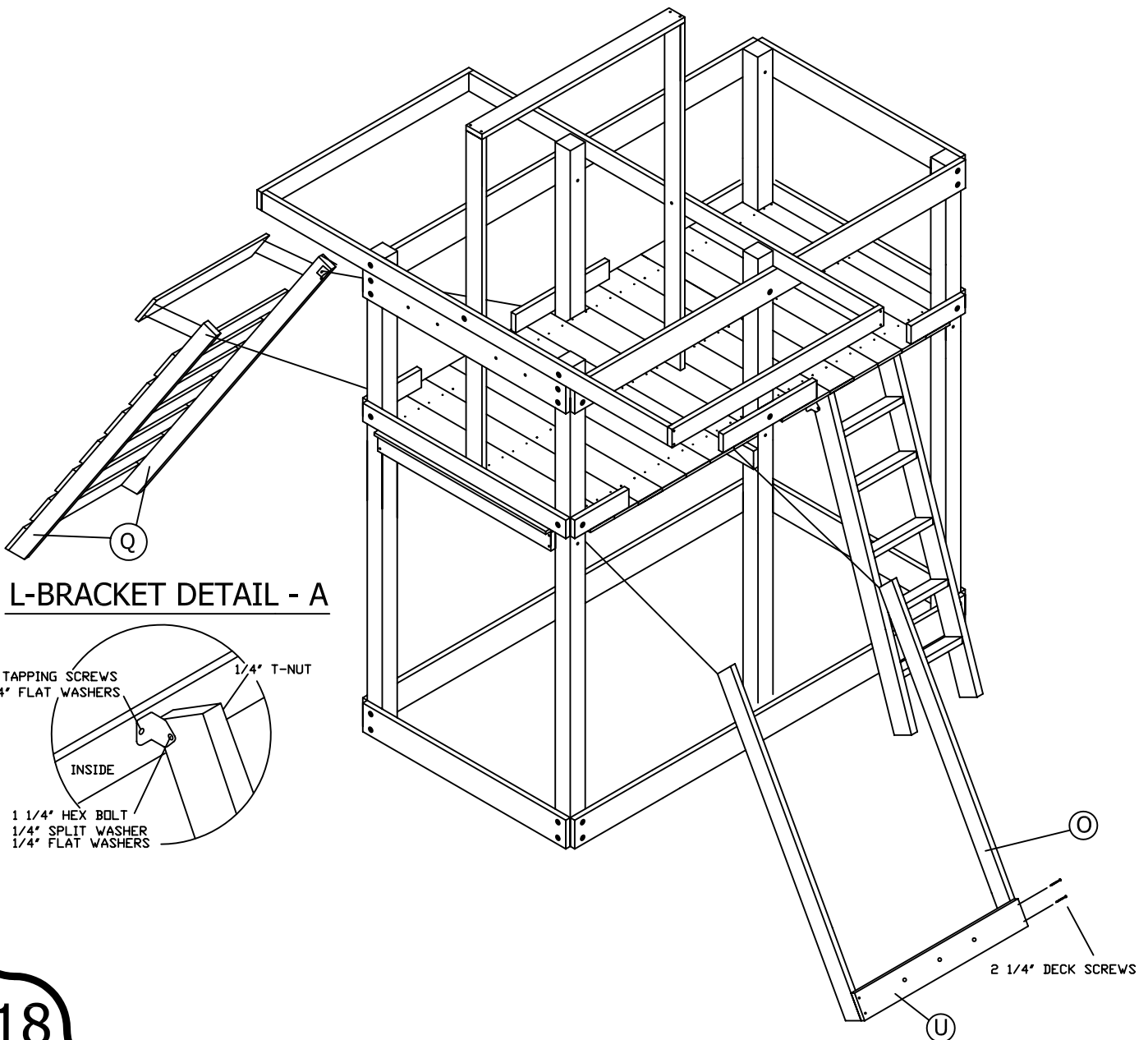
STEP 1: GATHER ITEMS O(2), U(1) & HARDWARE BAG.

STEP 2: ATTACH CARGO NET BOARD 'U' TO ENDS OF BRACES 'O' WITH 2 1/4" DECK SCREWS AS SHOWN.

STEP 3: ASSEMBLE CARGO NET AND ROCKWALL AS SHOWN IN DETAILS IN THE BACK OF THE BOOK.

STEP 4: ATTACH CARGO NET AND ROCKWALL WITH L-BRACKETS AS SHOWN IN DETAIL-A. ATTACH L-BRACKET TO INSIDE OF EACH SUPPORT WITH 1 1/4" HEX BOLT AND 1/4" T-NUT. (KEEP T-NUT TO OUTSIDE OF SUPPORT) ATTACH ROCK WALL TO FLOOR JOIST ON UNIT WITH 1" TAPPING SCREWS AS SHOWN.

STEP 5: ATTACH TOP ROCKWALL BOARD TO ROCKWALL W/ 2 1/4" DECK SCREWS.



PHASE 8

STEP 1: GATHER ITEMS M(2), I(1), END SINGLE BEAM, TOP SINGLE BEAM, GLIDER SUPPORTS, (2) L-BRACKETS, (2) TRIANGLE END BEAM BRACES & HARDWARE BAG.

STEP 2: ATTACH GROUND BEAM 'I' TO END BEAM WITH 2 1/2" LAG SCREW AS SHOWN.

STEP 3: ATTACH END BEAM BRACES 'M' TO GROUND BEAM 'I' W/ 1 3/4" HEX BOLTS & T-NUTS AS SHOWN BELOW. LAG TOP OF BRACES TO END BEAM WITH 4 1/2" LAG SCREWS AS SHOWN.

NOTE: TOP BEAM HAS (4) PILOT HOLES FOR SWING HANGERS & MUST BE FACING DOWN BEFORE ATTACHING TO END BEAM.

STEP 4: ATTACH TOP BEAM TO END BEAM W/ TRIANGLE BRACES, 3 3/4" HEX BOLTS, WASHERS & LOCK NUT. SEE DETAIL 1.

STEP 5: ATTACH GLIDER SUPPORTS TO TOP BEAM W/ 6" HEX BOLTS AS SHOWN BELOW.

STEP 6: ATTACH (2) L-BRACKETS TO TOP BEAM w/ 5/16"x3 3/4" HEX BOLT, FLAT WASHERS, & LOCK NUTS (MAKING SURE THAT THE ROUNDED END OF THE L-BRACKET IS ATTACHED TO BEAM) SEE DETAIL 2.

DETAIL 1

5/16x3 3/4" HEX BOLT
5/16" FLAT WASHER
5/16" FLAT WASHER
5/16" LOCK NUT

6" HEX BOLT
5/16" FENDER WASHER

GLIDER SUPPORT

TOP BEAM

5/16" FLAT WASHER
5/16" LOCK NUT

END BEAM

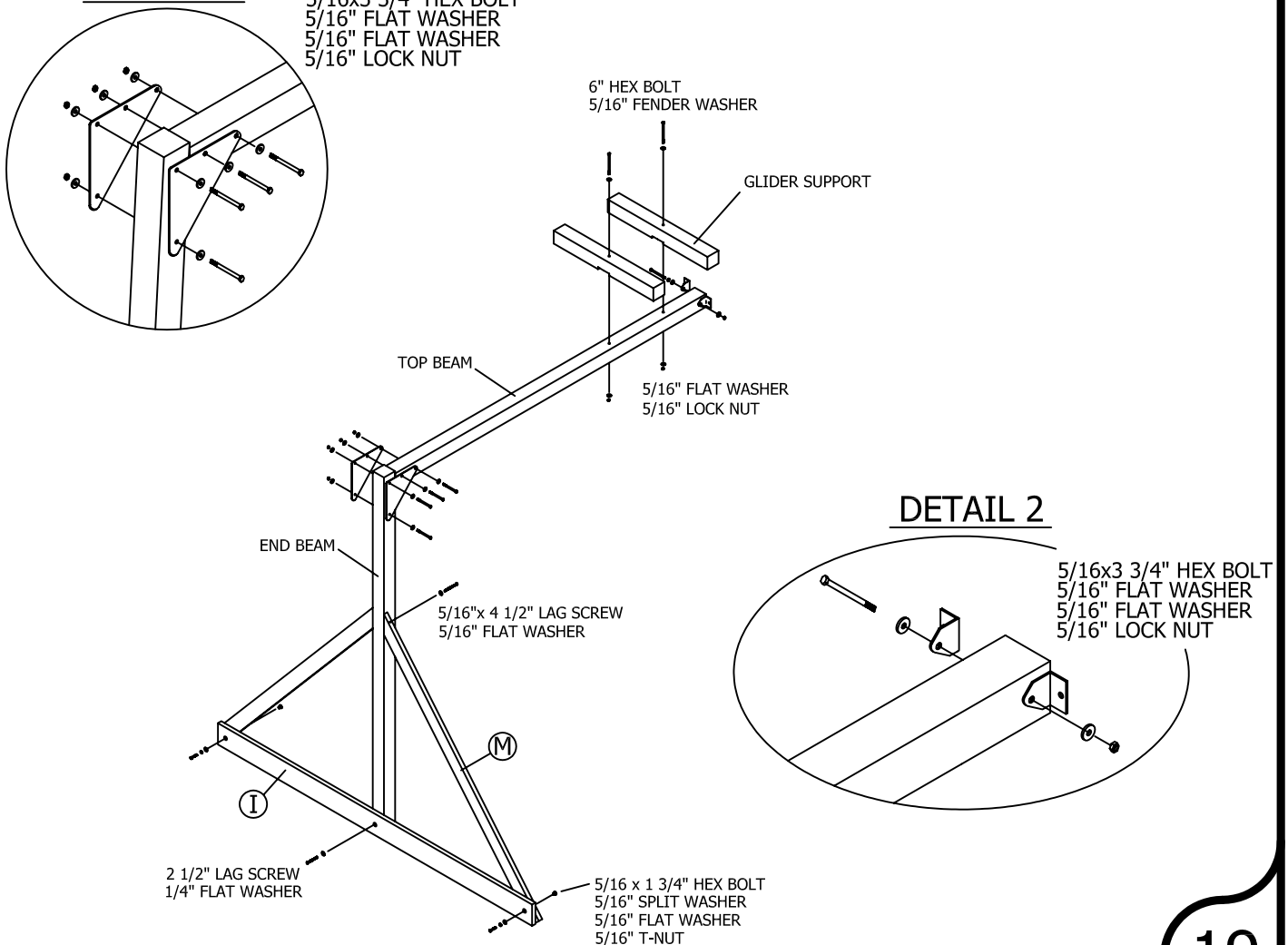
5/16"x 4 1/2" LAG SCREW
5/16" FLAT WASHER

DETAIL 2

5/16x3 3/4" HEX BOLT
5/16" FLAT WASHER
5/16" FLAT WASHER
5/16" LOCK NUT

2 1/2" LAG SCREW
1/4" FLAT WASHER

5/16 x 1 3/4" HEX BOLT
5/16" SPLIT WASHER
5/16" FLAT WASHER
5/16" T-NUT



PHASE 9

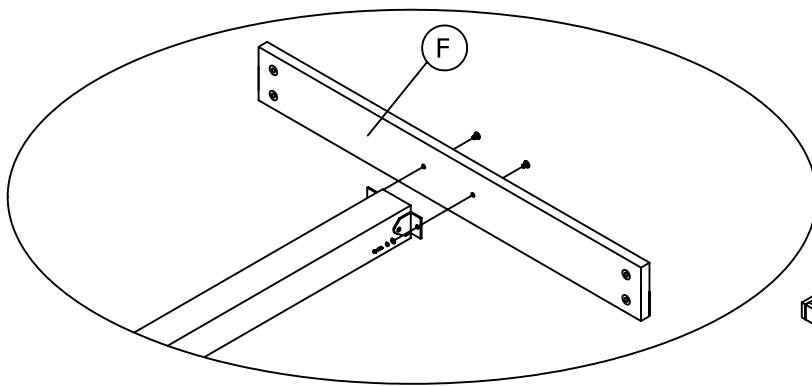
STEP 1: ATTACH LAG SCREW SWING HANGERS TO TOP LADDER THROUGH PRE-DRILLED PILOT HOLES. (8) TOTAL LOCATED IN HARDWARE BAG.

NOTE: SWING HANGERS MUST BE SCREWED IN ALL THE WAY. AS SHOWN IN SWING HANGER DETAIL THIS PAGE.

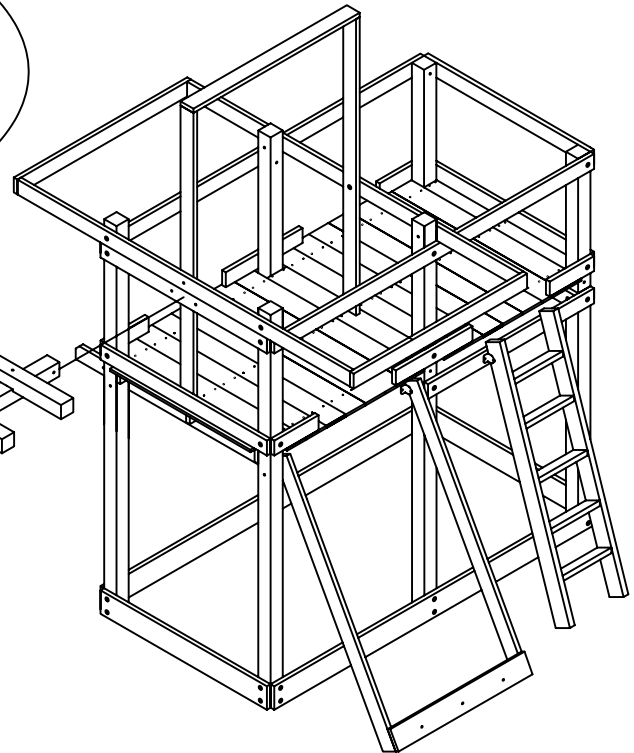
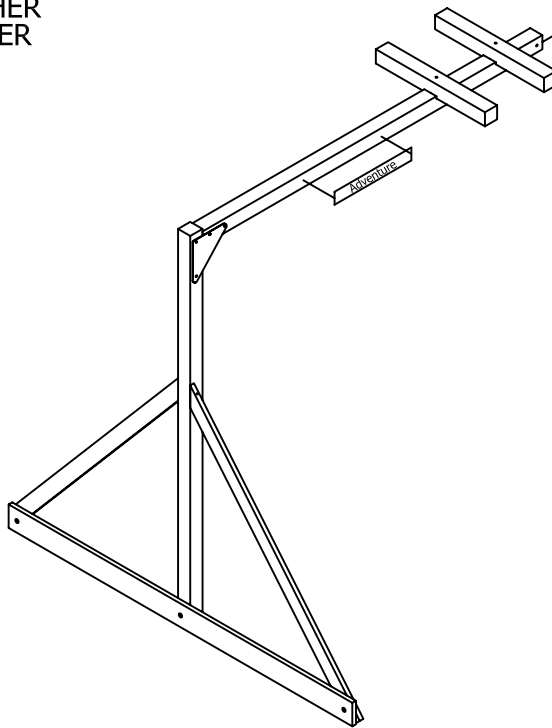
STEP 2: POSITION TOP BEAM SO THAT L-BRACKET HOLES ALIGN W/ PRE-DRILLED HOLES ON MONKEY BAR CROSS BRACE 'F' AND ATTACH W/ 5/16"x1 1/4" HEX BOLTS, FLAT WASHER, SPLIT WASHER, & T-NUT.

STEP 3: GLIDER AND SWINGS REQUIRE ASSEMBLY. REFER TO SWING SEAT ASSEMBLY & GLIDER DETAIL AT BACK OF INSTRUCTION BOOK BEFORE ATTACHING TO TOP LADDER.

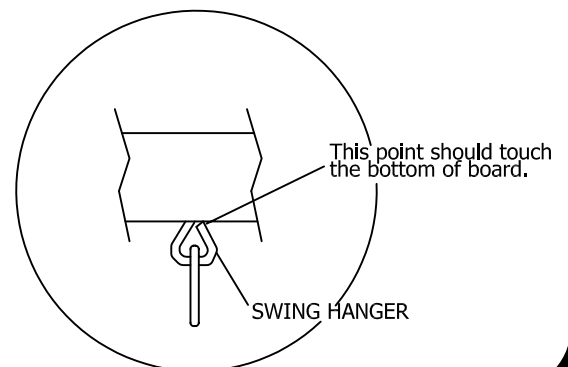
STEP 4: ATTACH ADVENTURE PLAYSETS STICKER TO TOP SINGLE BEAM.



5/16"x1 1/4" HEX BOLT
5/16" SPLIT WASHER
5/16" FLAT WASHER
5/16" T-NUT



SWING HANGER DETAIL



PHASE 10

STEP 1: GATHER ITEMS 'X' (20) & HARDWARE BAG.

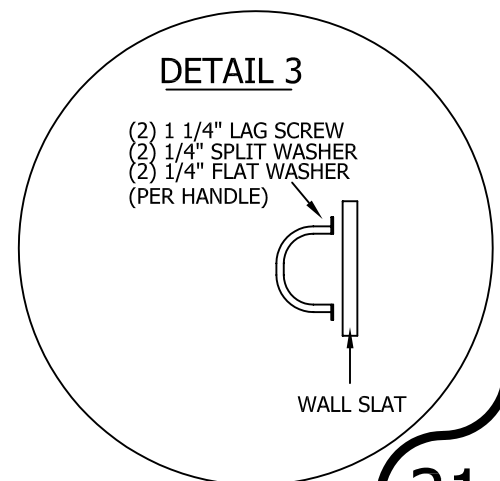
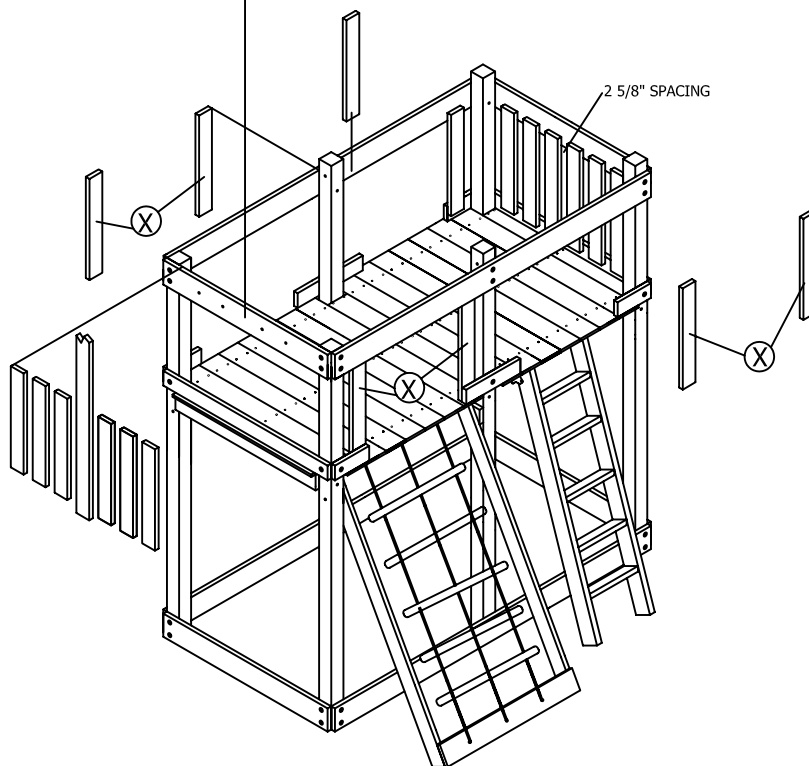
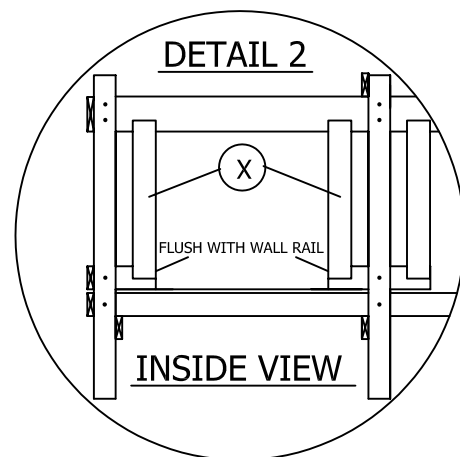
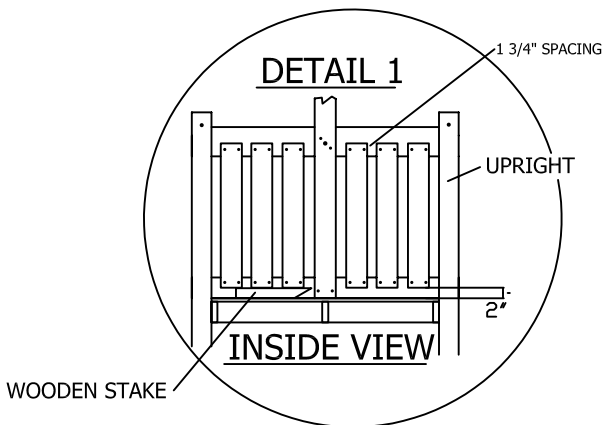
A. USING YOUR WOODEN STAKES AS LIFTS, REST THE STAKE ON THE FORT FLOOR & THEN REST THE WALL SLAT ON THE STAKE. ATTACH W/ (4) 1 1/2" DECK SCREWS PER SLAT. USE 1 3/4" SPACING BETWEEN THE SLATS FOR SINGLE BEAM WALL. (SEE DETAIL 1) (MIDDLE WALL SLAT WILL BE EXISTING TARP UPRIGHT)

B. ATTACH SLATS ON OPPOSITE WALL WITH 1 1/2" DECK SCREWS. USE 2 5/8" SPACING.

STEP 2: ATTACH WALL SLATS 'X' TO SIDES WHERE ACCESSORIES ARE ATTACHED.

USE STAKES AS SPACERS & ATTACH TO WALL RAILS W/ (4) 1 1/2" DECK SCREWS PER SLAT. (SEE DETAIL 2.)

A. WALL SLATS 'X' WILL TAKE YELLOW HANDLES. CENTER HANDLE ON WALL SLAT WHERE ROCKWALL, CARGO NET & DECK LADDER ATTACH. (SEE DETAIL 3)



PHASE 11

STEP 1: GATHER ITEMS V(4), AD(6), Z(1), AC(1) & HARDWARE BAG.

STEP 2: ATTACH ITEMS 'V' TO INSIDE OF FORT AS FOLLOWS:

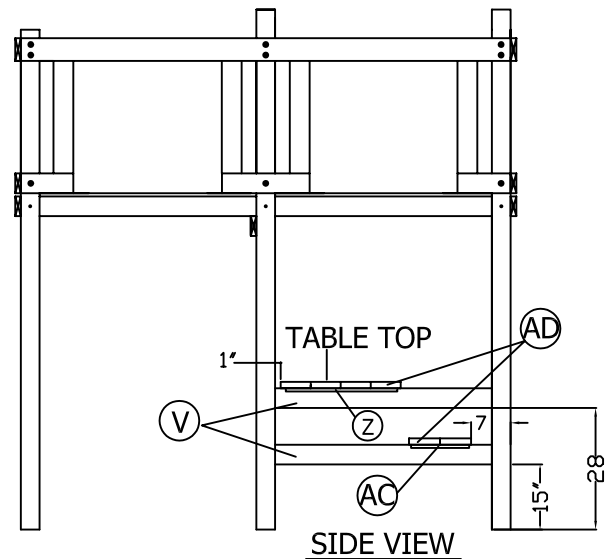
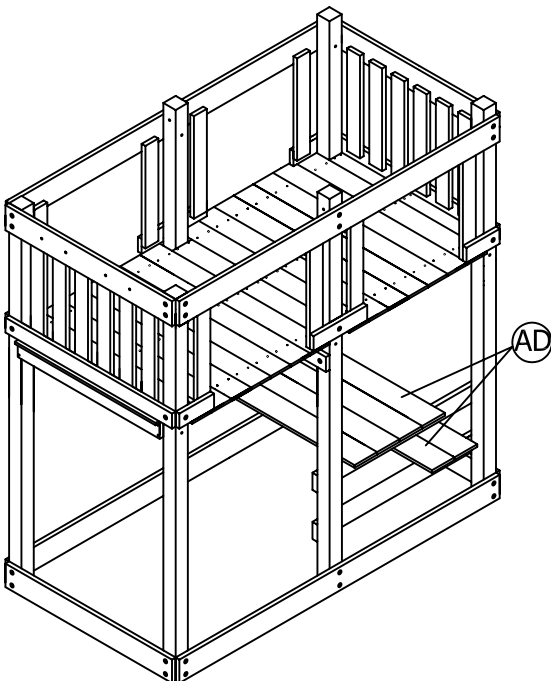
A. ATTACH TOP PICNIC RAILS 28" FROM BOTTOM OF UPRIGHT TO BOTTOM OF RAIL AS SHOWN IN 'SIDE VIEW'. COUNTERSUNK HOLES MUST BE TO INSIDE OF FORT. ATTACH W/ 2 1/2" LAG SCREWS & FLAT WASHERS.

B. MEASURE 15" FROM BOTTOM OF UPRIGHT TO BOTTOM OF SECOND PICNIC RAILS & ATTACH W/ 2 1/2" LAG SCREWS & FLAT WASHERS. COUNTERSUNK HOLES MUST BE TO INSIDE OF FORT.

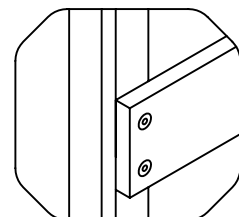
STEP 3: SET PICNIC BOARDS AD(4) ON TOP PICNIC RAILS. LEAVE 1" SPACE BETWEEN FORT UPRIGHTS AND TABLETOP. KEEP ENDS EVEN WITH THE OUTSIDE OF UPRIGHTS & ATTACH W/ (4) 1 1/2" DECK SCREWS PER BOARD, THROUGH PICNIC BOARD & INTO PICNIC RAILS 'V'.

STEP 4: SET PICNIC BOARDS AD(2) ON BOTTOM PICNIC RAILS. MEASURE FROM OUTSIDE OF UPRIGHTS 7" IN & ATTACH BENCH BOARDS W/ (4) 1 1/2" DECK SCREWS PER BOARD. (SEE SIDE VIEW DETAIL.)

STEP 5: ATTACH TABLE TOP BRACE 'Z' TO BOTTOM SIDE OF TABLE TOP. HAVE A HELPER HOLD IT FROM THE BOTTOM & ATTACH W/ 1 1/2" DECK SCREWS. ATTACH 'AC' TO BOTTOM OF PICNIC BENCHES W/ 1 1/2" DECK SCREWS.



NOTE: ALL RAILS SHOULD ALIGN W/ CHAMFER ON UPRIGHTS



DECK LADDER ASSEMBLY

ASSEMBLY STEPS

STEP 1: GATHER ITEMS:

AB-(5) LADDER RUNGS

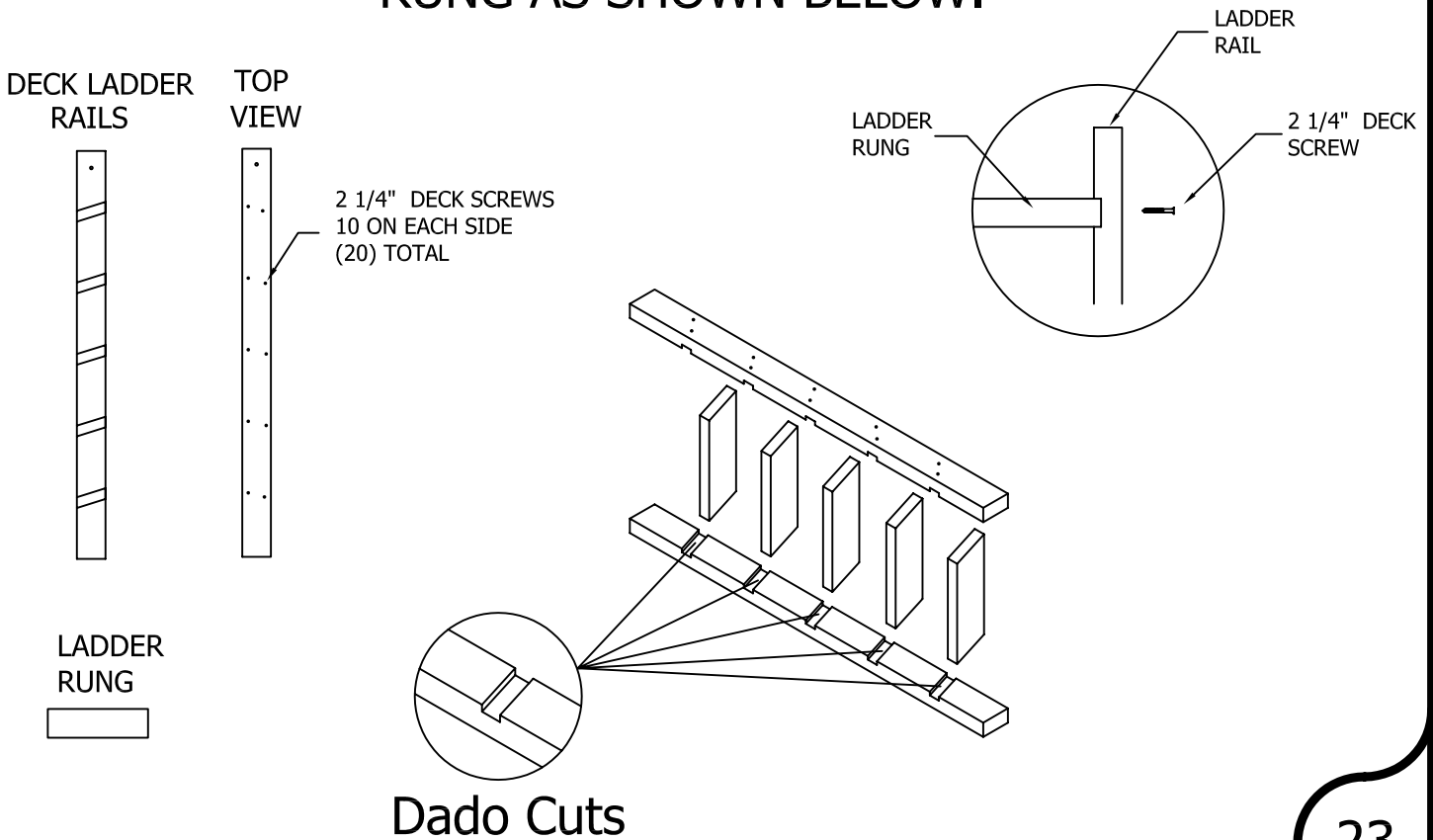
P & Q-(2) DECK LADDER RAILS

(20) 2 1/4" DECK SCREWS.

STEP 2: PLACE LADDER RAIL FLAT WITH DADO CUTS FACING UP. CENTER RUNGS ON LADDER RAIL AS SHOWN ON TOP VIEW.

Note: Dado cuts are the indentions made on ladder rails that secure the ladder rungs.

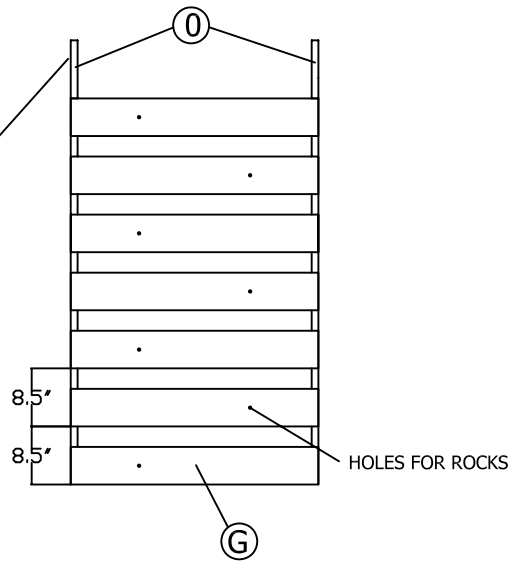
STEP 3: SCREW INTO THE CENTER OF RUNG AS SHOWN BELOW.



ROCKWALL ASSEMBLY & ATTACHMENT

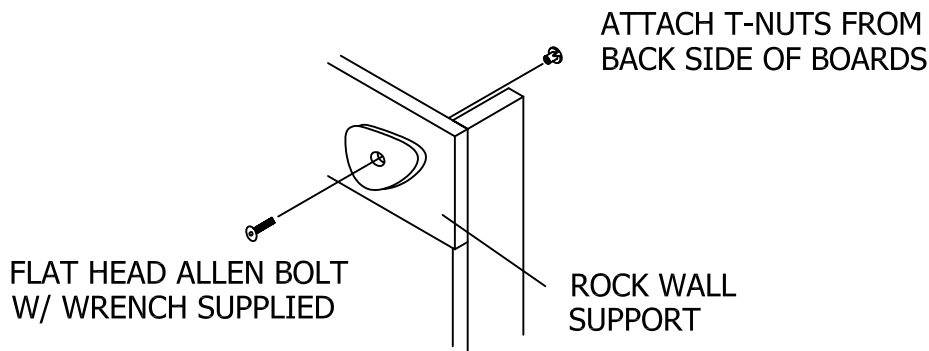
ROCK WALL DETAIL

NOTE: LEAVE TOP BOARD OFF AND ATTACH AFTER ATTACHING ASSEMBLY TO FORT.



PLACE ONE ROCK WALL BOARD 'G' AT BOTTOM OF SUPPORTS & ATTACH W/ 2 1/4" DECK SCREWS. SPACE YOUR ROCK WALL BOARDS 'G' AT 8 1/2" AS SHOWN. ALTERNATE THE BOARDS SO THE HOLES WILL NOT BE IN A STRAIGHT LINE. LEAVE TOP ROCKWALL BOARD OFF AND ATTACH AFTER ATTACHING ASSEMBLY TO FORT. (SEE ROCK DETAIL FOR ROCK ATTACHMENT.)

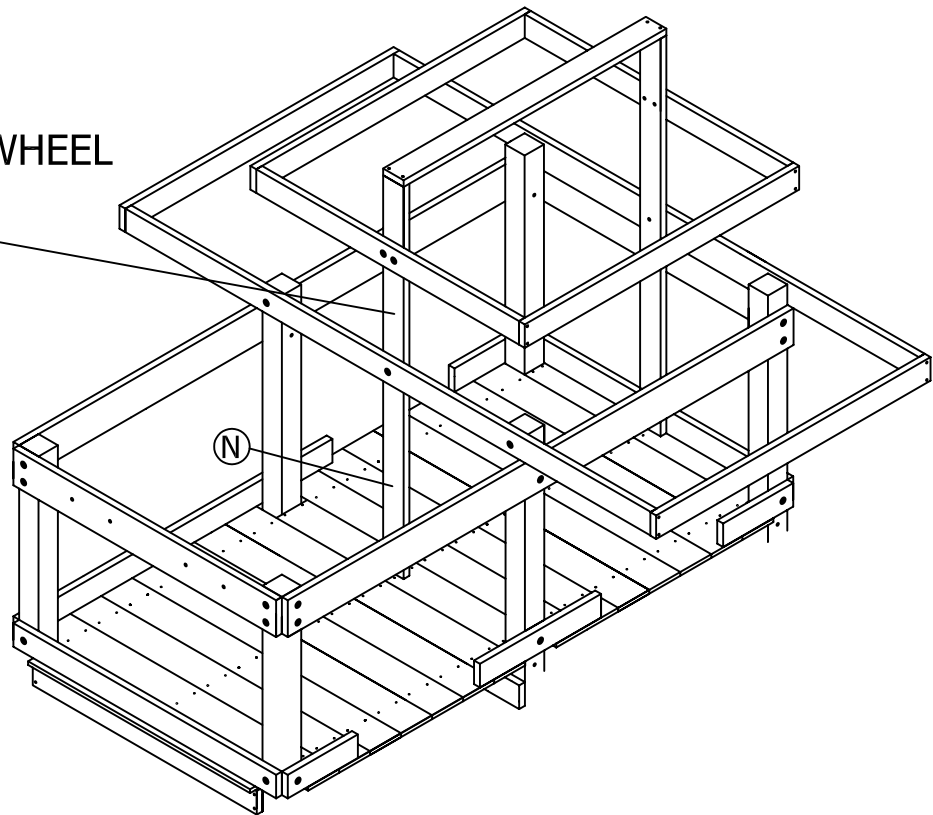
ROCK DETAIL



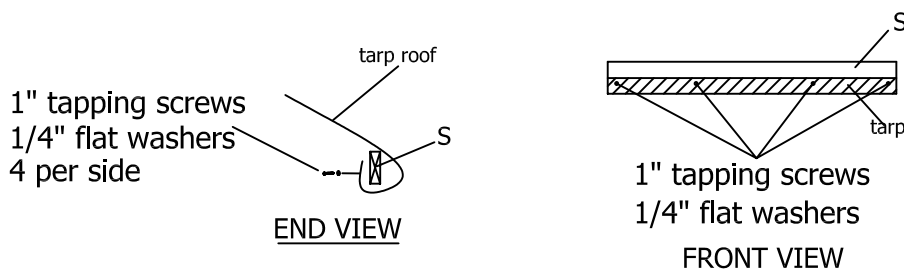
STEERING WHEEL ATTACHMENT

IN THIS STEP YOU WILL ATTACH THE STEERING WHEEL TO THE CENTER TARP SUPPORT 'N' WITH A 1 1/4" LAG SCREW AND 1/4" FLAT WASHER.

PLACE STEERING WHEEL
HERE.



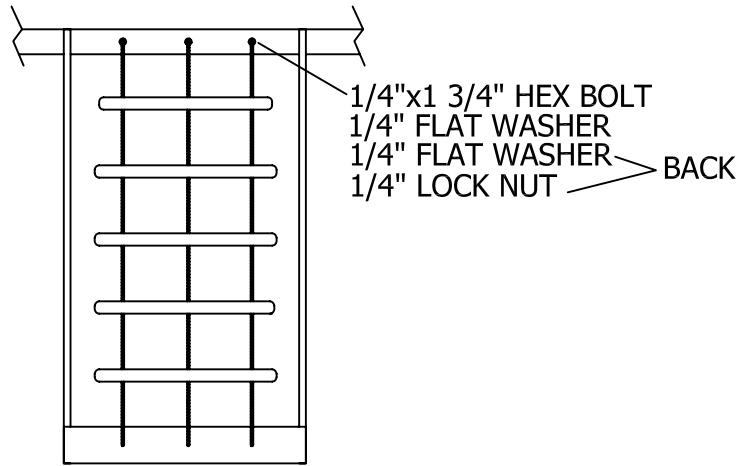
TARP ROOF DETAIL



PLACE TARP OVER SUPPORT 'T' AND WRAP OVER ITEMS 'S' THEN BACK UNDER FASTENING ON THE INSIDE W/ 1" TAPPING SCREWS & 1/4" FLAT WASHERS. KEEP TARP ROOF TIGHT.

CARGO NET

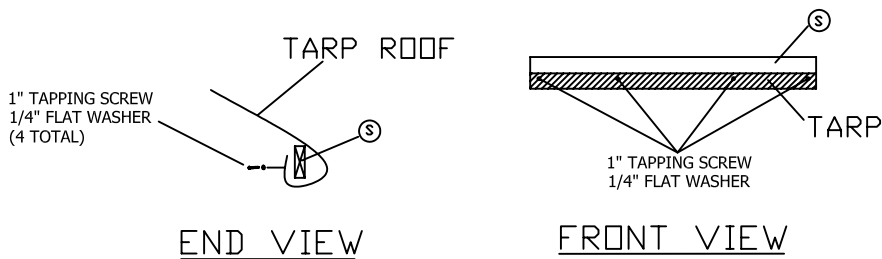
CARGO NET DETAIL



TO ATTACH CARGO NET TO ITEM 'R' FEED A 1 3/4" HEX BOLT W/ FLAT WASHER INTO LOOP AT TOP OF ROPE AND INTO PRE-DRILLED HOLE LOCATED ON ITEM 'R'. FASTEN WITH FLAT WASHER AND 1/4" LOCK NUT ON BACK SIDE. PULL CARGO NET DOWN, FEED ROPE THROUGH HOLES ON 'U' BOARD. PULL ROPE TIGHT AND TIE A KNOT IN BACK OF BOARD.

TARP ROOF

TARP ROOF DETAIL



PLACE TARP OVER SUPPORT 'T', LOOP UNDER 'S' AND SECURE WITH 1" TAPPING SCREWS AND FLAT WASHERS. KEEP TARP ROOF TIGHT.

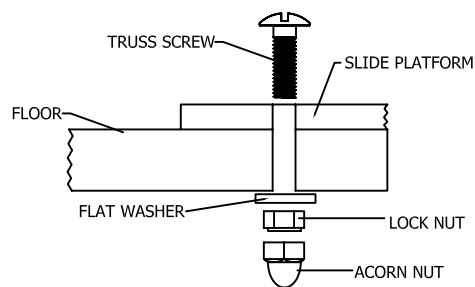
SLIDE ATTACHMENT

Step 1: Center slide in opening opposite the deck ladder.

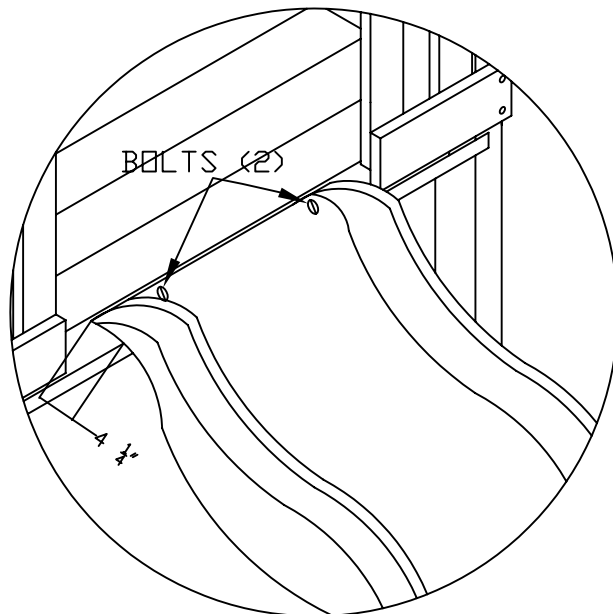
Step 2: Drill (2) 5/16" holes through slide and fort floor.

Step 3: Insert a 1 1/2" machine truss screw into each hole and attach with a 1/4" flat washer lock nut and acorn nut from the underside of floor and tighten.

HARDWARE DETAIL



Place screw in drilled hole. Attach with 1/4" flat washer, lock nut and acorn nut. Hand tighten to make sure screw is in nut. Secure with screwdriver. DO NOT OVER TIGHTEN!



ANCHORING DETAIL

Step 1: Drive stakes into ground where shown below and attach with 2 1/4" deck screws as shown in Fig. 1.

Note: Failure to use stakes can void warranty and cause injury.

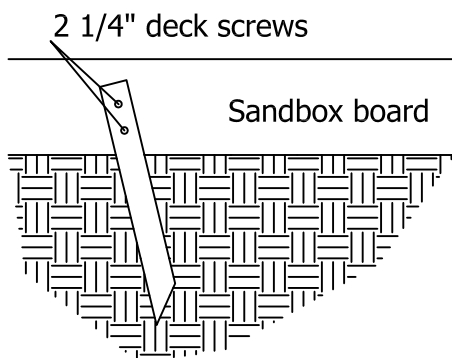
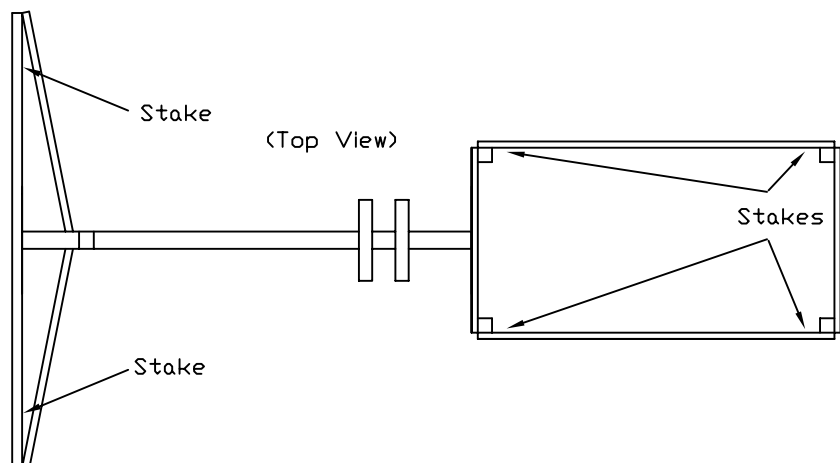


Fig. 1



Final Step: Double check to be sure every bolt, screw and nut is tight and that every board is secure. Enjoy!

Frequently Asked Questions

Q: What size of play area do you recommend around the playset so my child may play safe??

A: We recommend at least a six-foot play perimeter around the playset.

Q: My swing set seems to sway or rock too much. What is wrong?

A: Rocking is caused by uneven ground or obstructions such as rocks, roots, etc. under the ground rails. These obstructions should be removed and the ground underneath leveled to prevent rocking. If the fort itself is moving, it is usually caused because the fort is not staked down. Staking is required and will stop most of the movement.

Q: The end ladder is not straight up and down. What is wrong?

A: Nothing is wrong. The end ladder does not form a 90° angle. It has an angle to it.

Q: The S-hooks for my swings won't close. What is wrong?

A: The S-hook must be on a solid foundation when trying to close. It takes quite a few strokes, but the S-hook will close.

Q: The top ladder does not have holes for the swing hanger lags. Why not?

A: The top ladder is probably installed upside-down.

Q: My wood appears to be cracking. Is that a problem?

A: No, expansion and contraction of wood due to weather changes will cause slight cracking (technically called checking) and distortion. These are natural characteristics of wood and do not affect the structural integrity of the playset.

Q: My 2x4 boards do not measure 2"x4". Why not?

A: It has been common practice in the U.S. to use the rough-cut dimension from a sawmill to describe the width and height of a particular piece of lumber. Many retailers, designers, contractors and manufacturers utilize this description with a common and accepted knowledge that the actual size will vary from this description. Our sets are designed using the actual dimension. This ensures the sets will be assembled properly and be safe for the recommended use.

Q: How often should I re-stain my playset and what should I use?

A: The playset should be checked at least once a year depending on the weather. Lightly sand any rough areas and re-stain the set with a waterborne transparent stain.

CUSTOMER NOTES

Limited Warranty

Adventure Playsets Inc. insures to the original owner of our product, that the components of our set are free from defect in materials and will be warranted for one year from the date of purchase. In addition, all wooden components will be warranted against rot or insect damage for 12 Years to the original owner. All non-wood components will carry a one-year warranty only.

All defective parts that are discovered and reported in the first thirty days after purchase will be replaced at no charge to the registered customer. After thirty days of purchase shipping and handling charges for replacement warranty parts will be passed on to the consumer.

All returned goods will be accessed by our customer service department. We will not accept any goods without an authorization code. Our customer service department will give out all codes. Failure to supply authorization code with shipment will void all said warranty. Our customer service department can be reached at 1-800-856-4445.

This Limited Warranty does not cover the following:

- ❑ The cost of labor required to re-install or disassemble the defective component.
- ❑ The cost of air freight
- ❑ The cost of freight after the initial 30 days from purchase.
- ❑ Cosmetic defects that do not affect the structural integrity of the play center.
- ❑ Any abnormal conditions such as vandalism, improper installation, misuse or abuse, or improper maintenance.
- ❑ Damage done by nature such as wind, lightning, severe weather, etc...
- ❑ Natural defects of wood such as warping checking or any other physical properties of wood that do not present a hazard.

Adventure Playsets products have been carefully designed to insure your child's safety. Any modifications to your playsystem could result in serious injury as well as void all warranties.

Our playsets are designed for Residential use only, for children between the ages of 3 and 10, for a single-family dwelling. Commercial use such as nurseries, parks or schools, voids all warranties and liabilities.

Warranty claim procedure

If you are confident that your playsystem has been installed and maintained properly, and you have a warranty claim, proceed with the following steps:

1. We will need copy of your proof of purchase (Vendor sales receipt only.)
2. We require a brief written description of the warranty issue.
3. Photos of warranted parts and of the entire play system.

If **any** of the above steps are not completed, there may be delays in the completion of your claim, or possibly warranty cancellation.

Mail information to:

Adventure Playsets
14201 I-27
Amarillo, Texas
79119

or email at

custservice@adventureplaysets.com

Our customer service department will review the claim and make contact with the customer by mail or by phone. The customer will only pay for shipping and handling to and from factory if warranty is approved.

1-800-856-4445

Service department hours Monday thru Friday 9am to 5pm

Saturday 9am to 2pm

Central standard time

Customer Registration Card

Name: _____

Address: _____

City: _____ State: _____ Zip: _____

Home Phone _____

Date of Purchase _____

Vendor Name _____

City: _____ State: _____ Zip: _____

Unit Model: _____

Please check the boxes below:

How old are you?

18-30

31-43

44-56

Older than 56

How would you rate the quality of our product?

Above Average

Average

Fair

Poor

How would you rate the ease of assembly of our product?

Above Average

Average

Fair

Poor

How would you rate our instructions?

Above Average

Average

Fair

Poor

Would you recommend our product to friends & family?

Yes

No

How old are your children?

3-4

5-6

7-8

9-10

Where did you hear about us?

Friend

Store Display

Advertisement

Internet

Comments: _____

Customer Registration Card

**Do not forget to send in your registration card to the factory.
This card will validate your time of purchase for warranty items.**

Fold here

**Place
stamp
here**

**Adventure Playsets
14201 I-27
Amarillo Texas, 79119**